

BELLOWS ACTUATORS



TULPAR SPACE
AVIATION & DEFENCE

Bellows actuators are products that convert pyrotechnic energy into motion.

Response time is in milliseconds.

When fired electrically, extend along any flat or curved path created by the surfaces around the bellows and maintain extended position under load.

Customizable design for various applications.

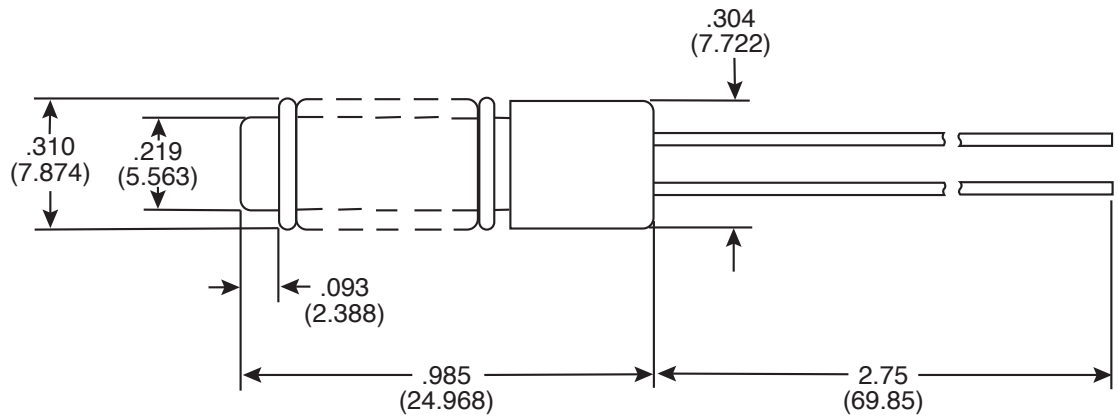
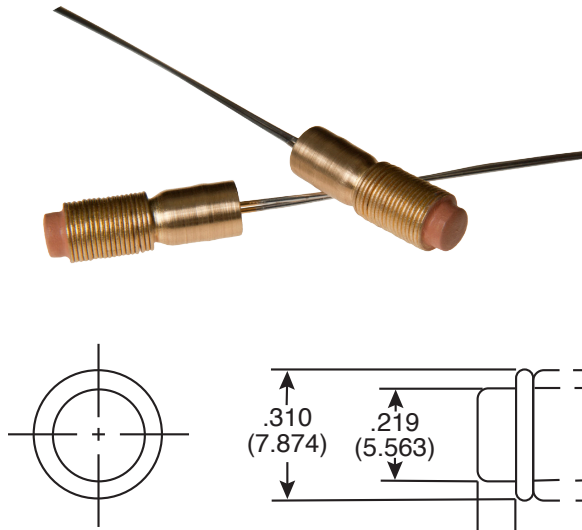
Simple and robust design, highly reliable.

Areas of Use

- Various Missile Platforms
- Rocket Mechanisms (Space)
- Bomb Platforms

TECHNICAL SPECIFICATIONS TP-PK1

MEASUREMENT	DRAWING
WEIGHT	5gr
STROKE LENGHT	5/8" (15,8mm)
POWER	55°de 900Rpm - 0,45 Nm 55°de 1900Rpm - 0,95 Nm
RESPONSE TIME	25 milisaniye
OPRERATIONAL TEMPERATURE	-54°C ila +70°C MIL-STD-331
CHEMISTIRY	Kurşun Sitifnat
BRIDGE RESISTANCE	7.0±2.0 ohm (@21°C)
IGNITION CURRENT	0.68 mikrofarad kapasitör, minimum 38.5 ± 0.5 VDC



DIMENSIONS IN () ARE IN MM

Tulpar Space Aviation and Defense Inc
İstasyon Mah. Mesnevi Sok No:10 Kartepe
Kocaeli Türkiye

Tel : +90 262 255 52 80

www.tulparlabs.com
info@tulparlabs.com

08/23 · Printed in Turkey.

Tulpar Space Aviation and Defense Inc. reserves the right to make changes to technical specifications without prior notice. The images are for illustrative purposes and technical specifications may differ from the standard equipment.

All rights belong to Tulpar Space Aviation and Defense Inc. Unauthorized use or reproduction is prohibited.

